

Shenzhen Gisantone Technology Co.,Ltd

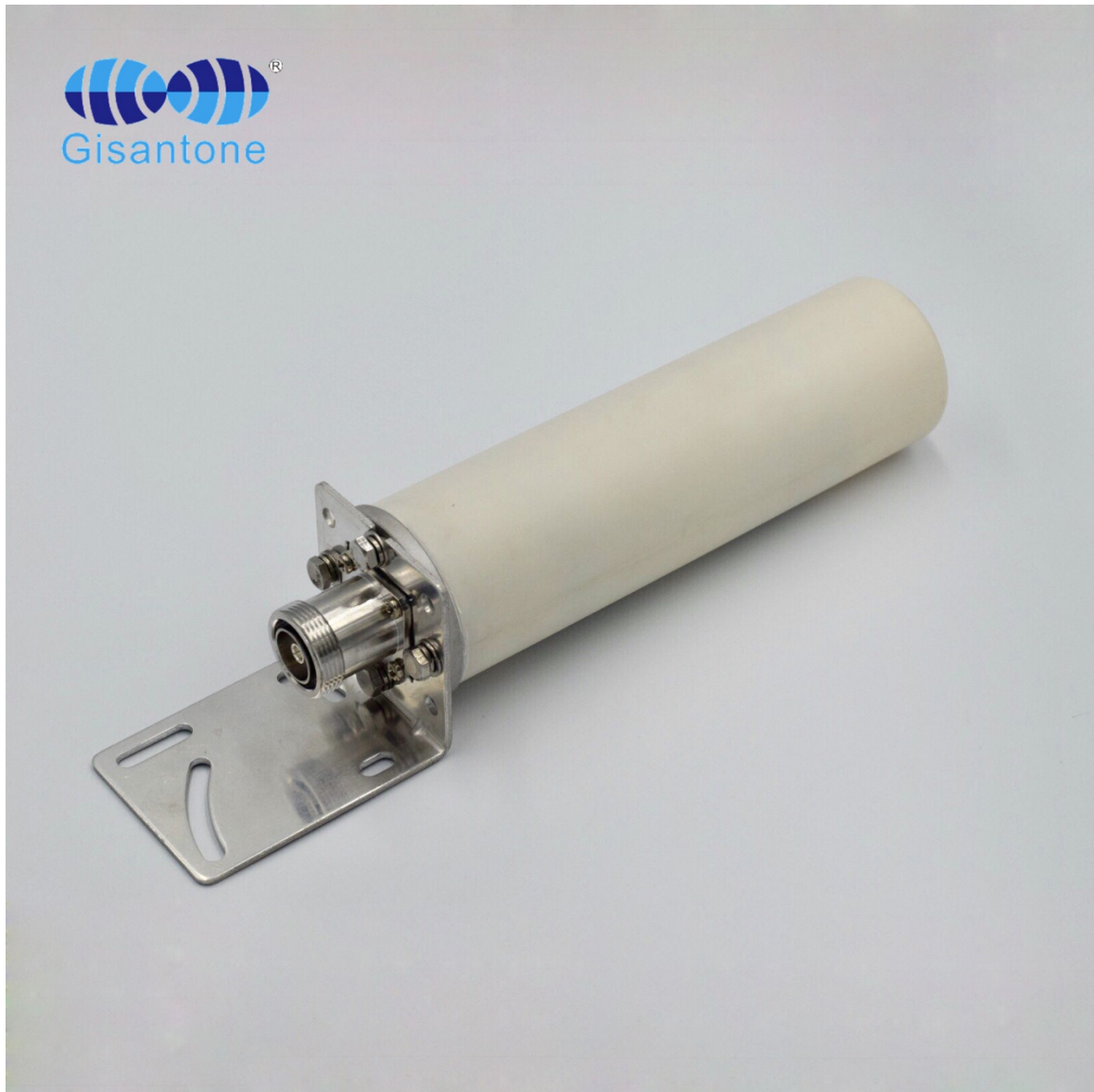
No.30th, West Road of Shibi, Liulian, Pingdi town, Longgang
District, Shenzhen, China. 518117

Tell : 0086 0755 89390978 Fax : 0086 0755 89390979



Product Name 698/2700MHz 3/5DBI Fiberglass Antenna
Model No. G14111D

- ✓ Outdoor Omni 4G Fiberglass Antenna
- ✓ Frequency band 698-960/1710-2700MHz
- ✓ Gain 3/5DBI
- ✓ Horizontal/Vertical Beam width 360-70 degree
- ✓ 1 * DIN-female connector



Shenzhen Gisantone Technology Co.,Ltd

No.30th, West Road of Shibi, Liulian, Pingdi town, Longgang
District, Shenzhen, China. 518117

Tell : 0086 0755 89390978 Fax : 0086 0755 89390979

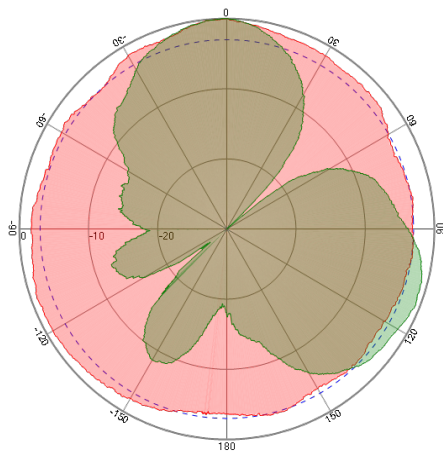
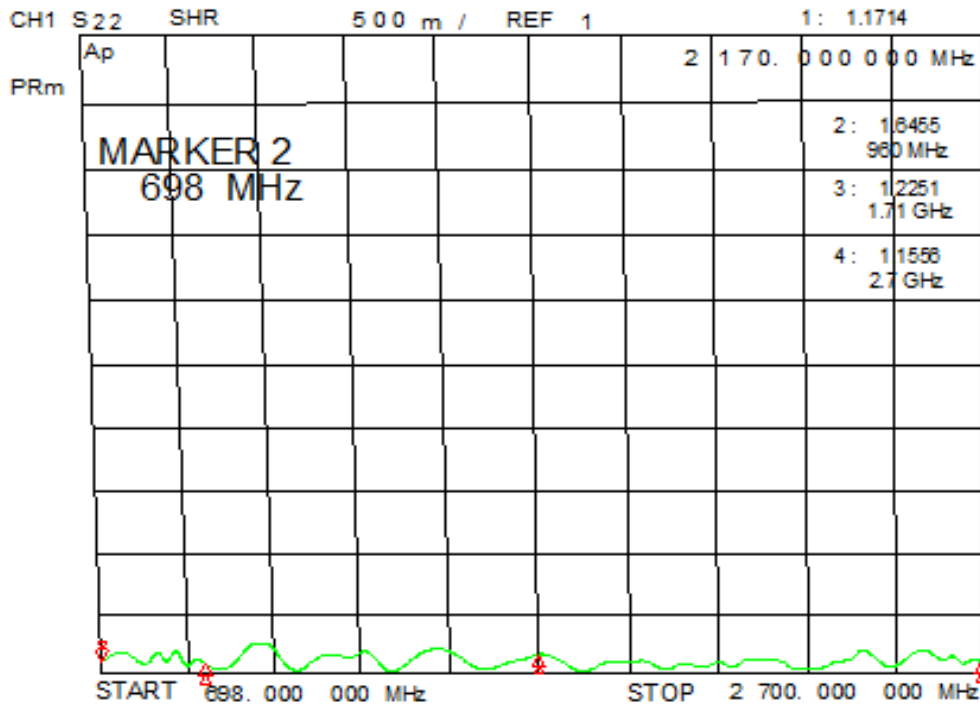


Electrical Specifications

Model No.	G14111D	
Frequency Range	698-960/1710-2700MHz	
Gain	3/5dBi	
VSWR	≤1.5	
Input Impedance	50Ω	
PIMD 3th(@2*33dBm)	≤-107dBm	
Polarization	Vertical	
Horizontal Half Power Angle	360°	
Vertical Half Power Angle	70°	50°
Max Input Power	100W	
Lightning Protection	DC Ground	

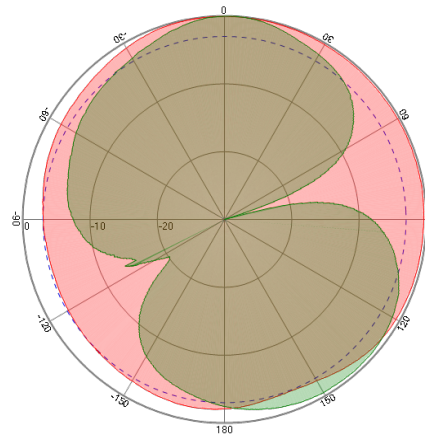
Mechanical Specifications

Working Temperature	-40°C~ + 65°C	
Connector Type	DIN female	
Antenna Weight	1.5kg	
Size	Φ60x250mm	
Pole Diameter	Φ40~65mm	
Rated Wind Velocity	210km/h	
Antenna Cover Material	ABS	
Color	White	
Package Size	60*40*30CM / 20PCS	
Weight	26KG	



测试频率: 2400
测试时间: 2013-8-19
测试平面: 水平面主极化
极化方式: 垂直
峰值电平: -54.46
3dB宽度: 100.56
前后比值: 2.93
对比增益: -18.10
TCH(0): -54.46

测试频率: 2400
测试时间: 2013-8-19
测试平面: 垂直面主极化
极化方式: 垂直
峰值电平: -50.86
3dB宽度: 44.51
左一旁瓣: 15.16
左二旁瓣: 13.15
左一零深: 18.86
右一旁瓣: 5.89
右二旁瓣: 0.91
天线倾角: -52.61



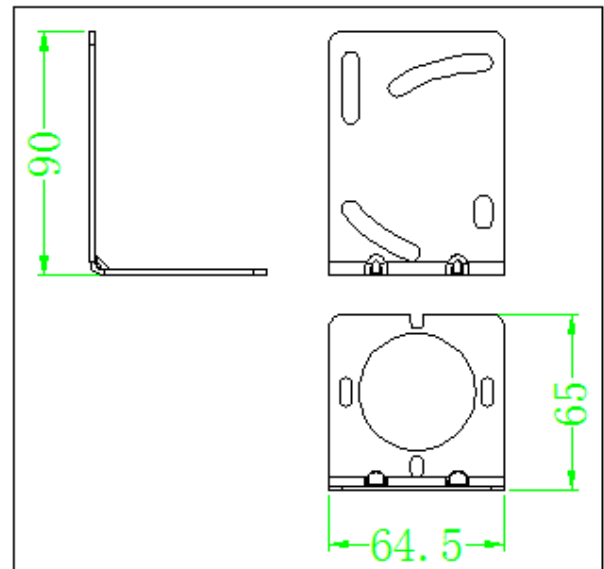
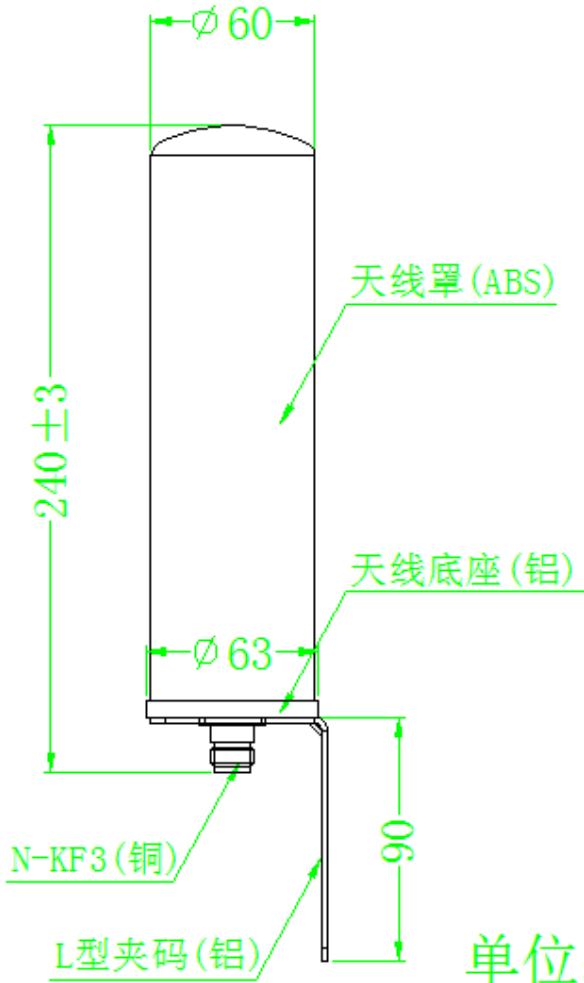
测试频率: 980
测试时间: 2013-8-19
测试平面: 水平面主极化
极化方式: 垂直
峰值电平: -41.47
3dB宽度: 0.90
前后比值: 1.93
对比增益: -28.47
TCH(0): -41.47

测试频率: 980
测试时间: 2013-8-19
测试平面: 垂直面主极化
极化方式: 垂直
峰值电平: -41.26
3dB宽度: 77.93
左一旁瓣: 13.72
左二旁瓣: 2.48
右一零深: 15.52
右一旁瓣: 0.66
右二旁瓣: 1.15
天线倾角: -63.78

Shenzhen Gisantone Technology Co.,Ltd

No.30th, West Road of Shibi, Liulian, Pingdi town, Longgang District, Shenzhen, China. 518117

Tell : 0086 0755 89390978 Fax : 0086 0755 89390979



单位: MM