

Shenzhen Gisantone Technology Co.,Ltd

No.30th, West Road of Shibi, Liulian, Pingdi town, Longgang
District, Shenzhen, China. 518117

Tell : 0086 0755 89390978 Fax : 0086 0755 89390979



Product Name 698/2700MHz 12DBI LPDS Antenna
Model No. G13103E

- ✓ Outdoor LPDS Antenna
- ✓ Frequency band 698-960/1710-2700MHz
- ✓ Gain 12DBI
- ✓ Horizontal/Vertical Beam width 60/50-45/35 degree
- ✓ 1 * N-male connector
- ✓ 1 * 10M LMR200 cable



Shenzhen Gisantone Technology Co.,Ltd

No.30th, West Road of Shibi, Liulian, Pingdi town, Longgang
District, Shenzhen, China. 518117

Tell : 0086 0755 89390978 Fax : 0086 0755 89390979



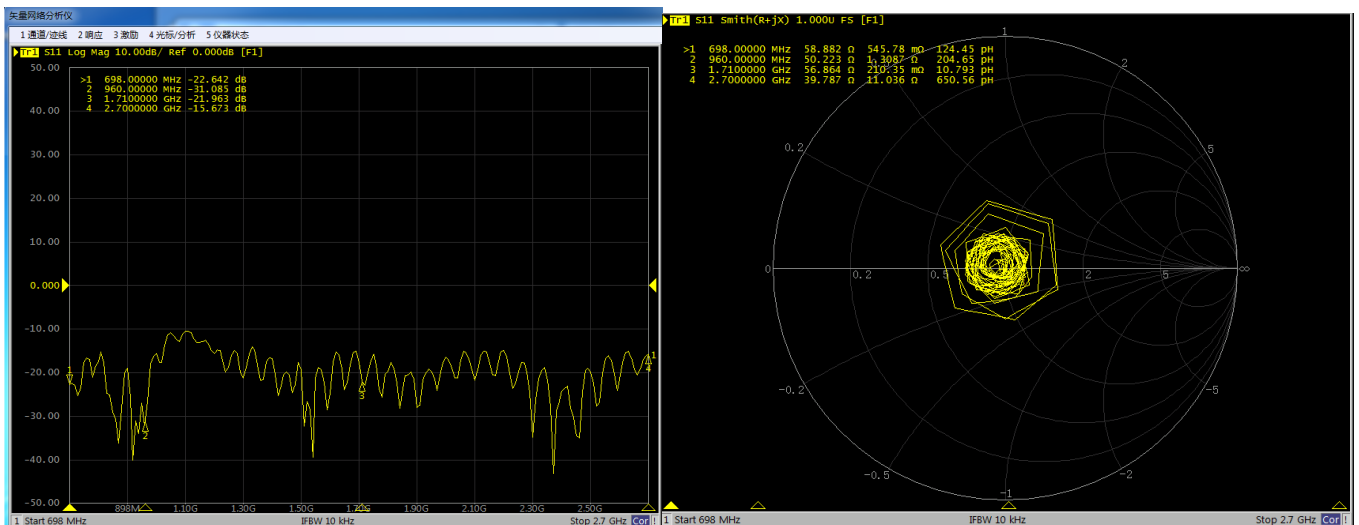
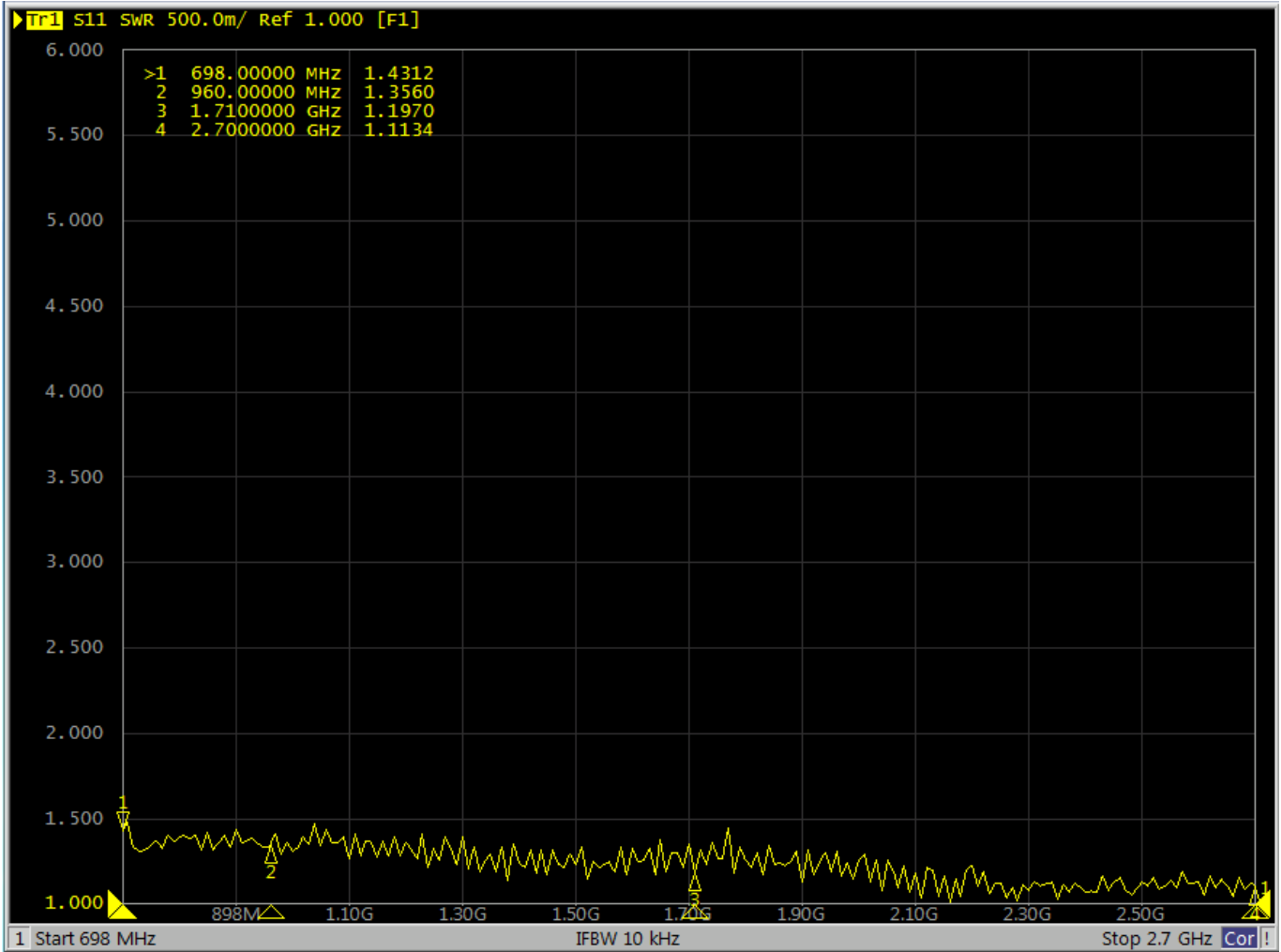
Electrical Specifications		
Model No.	G13103E	
Frequency Range	698-960MHz	1710-2700MHz
Gain	12dBi	
VSWR	≤1.5	
Input Impedance	50Ω	
Polarization	Vertical	
Horizontal Half Power Angle	60°	50°
Vertical Half Power Angle	45°	35°
Max Input Power	50W	
Lightning Protection	DC Ground	
Mechanical Specifications		
Working Temperature	-40°C~ + 65°C	
Connector Type	N male	
Cable Type	LMR200 Black	
Cable Length	10M	
Antenna Weight	1.1kg	
Size	510x210x70mm	
Pole Diameter	Φ35~55mm	
Rated Wind Velocity	210km/h	
Antenna Cover Material	ABS	
Color	Cold gray	
Package Size	80*67*46CM / 20PCS	
Weight	23.8KG	

Specifications may change without notice. Contact us by sales@gisantone.com for any inquiries.

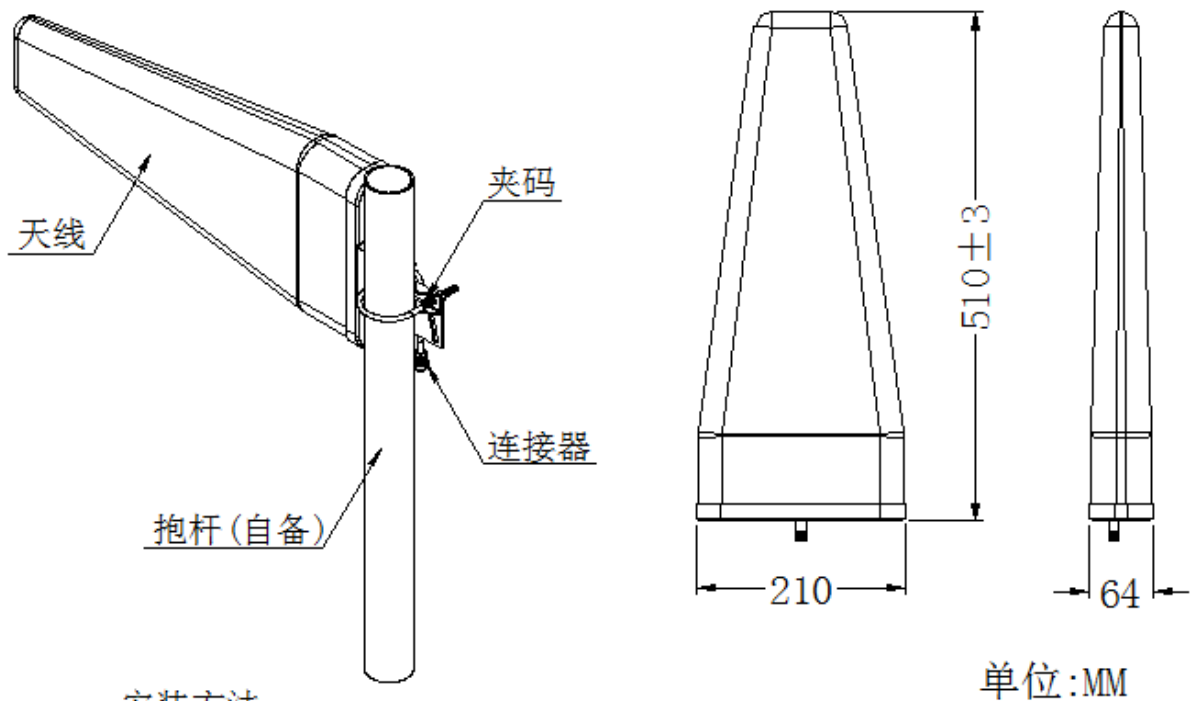
Shenzhen Gisantone Technology Co.,Ltd

No.30th, West Road of Shibi, Liulian, Pingdi town, Longgang District, Shenzhen, China. 518117

Tell : 0086 0755 89390978 Fax : 0086 0755 89390979



Specifications may change without notice. Contact us by sales@gisantone.com for any inquiries.



安装方法:

1. 首先用螺钉将L型夹码固定到天线上.
2. 再把U型夹码套到抱杆上与N型夹码配合, 将天线固定在抱杆上, 抱杆直径为($\varnothing 35$ - $\varnothing 50$ mm).
3. 再将馈线与天线连接器连接; 并做好防水处理. 找到天线接收信号最佳方位, 紧固螺母;