

Shenzhen Gisantone Technology Co.,Ltd

No.30th, West Road of Shibi, Liulian, Pingdi town, Longgang

District, Shenzhen, China. 518117

Tell : 0086 0755 89390978 Fax : 0086 0755 89390979



Product Name 698/2700MHz 4/6DBI Fiberglass Antenna
Model No. G14111B

- ✓ Outdoor Omni 4G Fiberglass Antenna
- ✓ Frequency band 698-960/1710-2700MHz
- ✓ Gain 4/6DBI
- ✓ Horizontal/Vertical Beam width 360-70 degree
- ✓ 1 * N-female connector



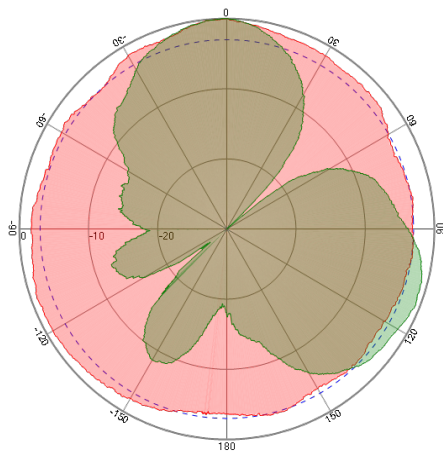
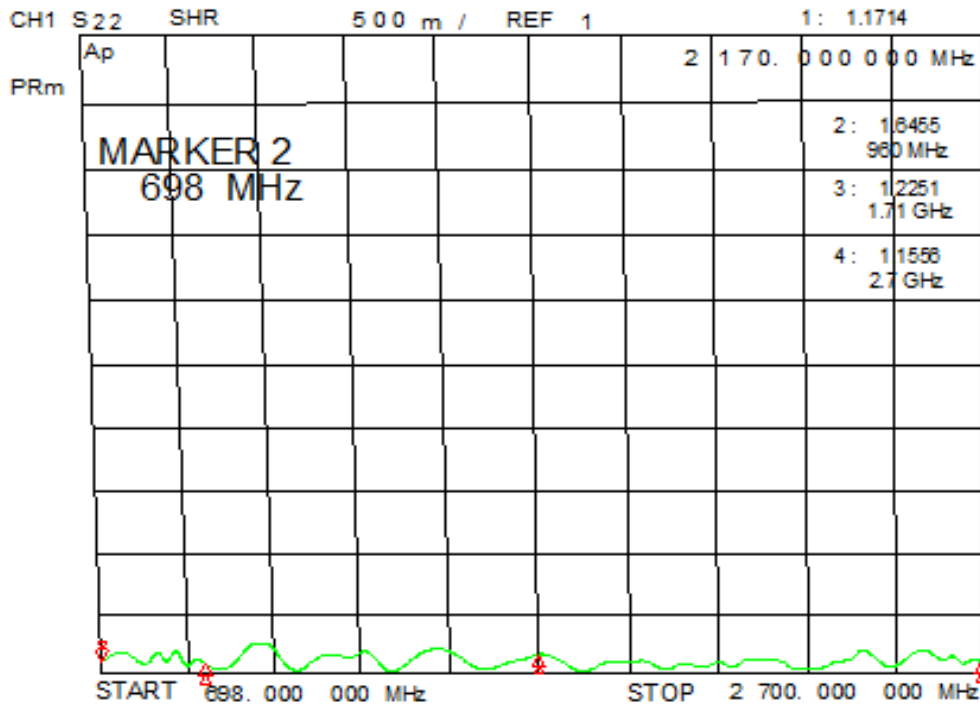
Shenzhen Gisantone Technology Co.,Ltd

No.30th, West Road of Shibi, Liulian, Pingdi town, Longgang
District, Shenzhen, China. 518117

Tell : 0086 0755 89390978 Fax : 0086 0755 89390979

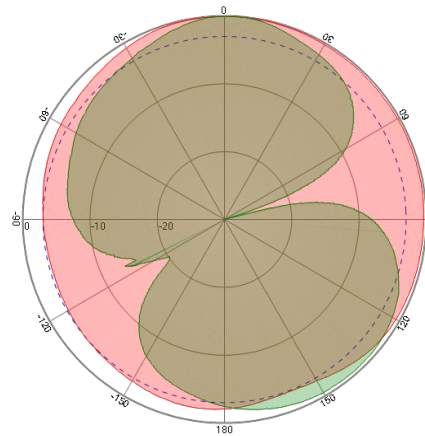


Electrical Specifications	
Model No.	G14111B
Frequency Range	698-960/1710-2700MHz
Gain	4/6dBi
VSWR	≤2.0
Input Impedance	50Ω
Polarization	Vertical
Horizontal Half Power Angle	360°
Vertical Half Power Angle	70°
Max Input Power	100W
Lightning Protection	DC Ground
Mechanical Specifications	
Working Temperature	-40°C~ + 65°C
Connector Type	N female
Antenna Weight	0.5kg
Size	Φ63x240mm
Pole Diameter	Φ35~55mm
Rated Wind Velocity	210km/h
Antenna Cover Material	ABS
Color	White
Package Size	60*40*30CM / 20PCS
Weight	26KG



测试频率: 2400
测试时间: 2013-8-19
测试平面: 垂直面主极化
极化方式: 垂直
峰值电平: -50.86
3dB宽度: 44.51
左一旁瓣: 15.16
左二旁瓣: 13.15
左一零深: 18.86
右一旁瓣: 5.89
右二旁瓣: 0.91
天线倾角: -52.61

Gain: 4.68



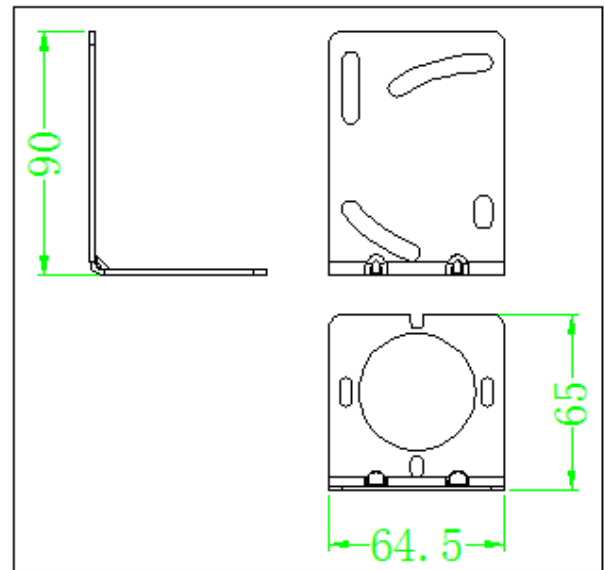
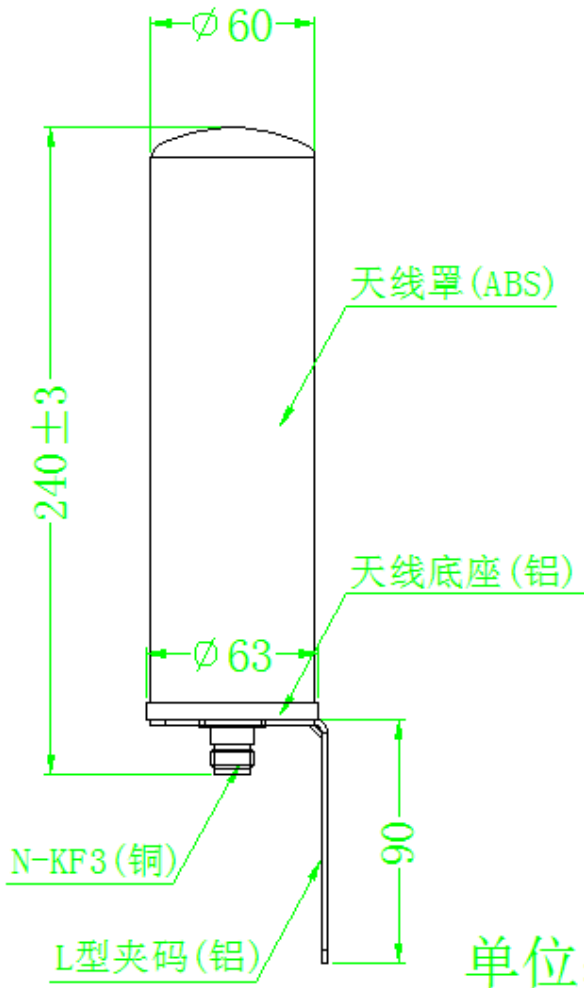
测试频率: 980
测试时间: 2013-8-19
测试平面: 垂直面主极化
极化方式: 垂直
峰值电平: -41.26
3dB宽度: 77.93
左一旁瓣: 13.72
左二旁瓣: 2.48
右一零深: 15.52
右一旁瓣: 0.66
右二旁瓣: 1.15
天线倾角: -63.78

Gain: 3.10

Shenzhen Gisantone Technology Co.,Ltd

No.30th, West Road of Shibi, Liulian, Pingdi town, Longgang District, Shenzhen, China. 518117

Tell : 0086 0755 89390978 Fax : 0086 0755 89390979



单位: MM